



Energy Efficient Pumps and Pump Solutions for HVAC (heating, ventilation and air conditioning)

PROVEN TECHNOLOGY

DESMI

Your Competent Partner

DESMI's Utility Division is responsible for providing energy efficient pump solutions into District Cooling, District Heating, HVAC and Power Generation applications a.o.

The HVAC/Cooling arena include cooling applications to buildings such as: Scyscrapers, datacenters, hotels, shopping malls, airports, convention centres but also more industrial applications with cooling towers etc. The pump solutions from DESMI mainly cover the medium and larger pump sizes

It sometimes connects/overlaps with District Cooling networks and Chiller Plants for distribution of cooled water to whole areas of a city, industrial areas etc. The cooling as well as the heating part of DESMI's HVAC range also relates to DESMI's active involvement with District Energy over past 90 years. So an area where we have strong competences on a vast number of pump applications. DESMI's competences includes pumps for both open and closed systems, as per the illustration below

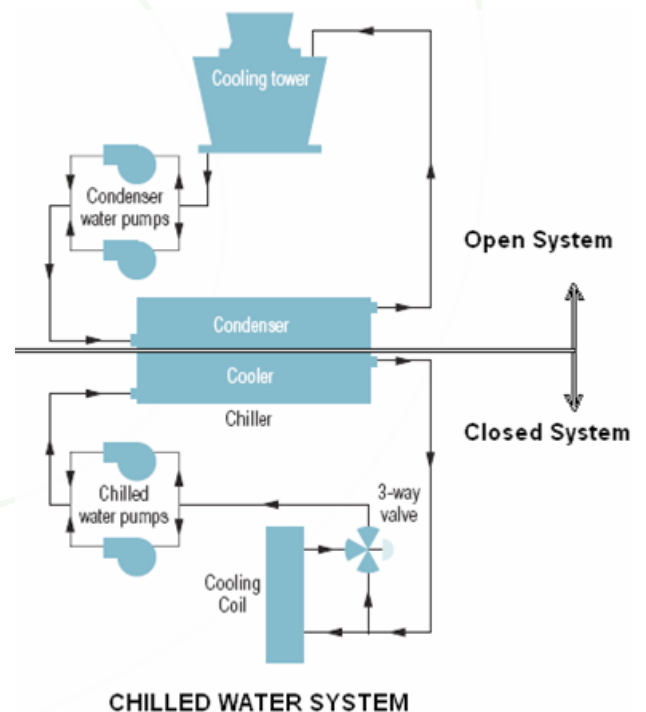
On our website and in our brochures for District Energy, Power Generation etc. you can find a number

of case stories to showcase our competences built over more than 140 years of pump manufacturing at DESMI.

Our focus at DESMI is to provide pump solutions with optimum energy efficiencies, which can help reduce pollution and save resources for the authorities and consumers.

DESMI undertakes full control from R&D to the final supply of fully tested products. We have our own foundry, own factories and takes pride in supplying the reknowned quality DESMI products.

Today DESMI have employees in approx. 25 countries around the world - and we have dedicated, competent partners/distributors in many other countries. DESMI is a company in growth still expanding significantly into wider geographical areas as well as continued R&D investments in an ever stronger product portfolio. So we want to be your competent partner for pump solutions, A company capable of adding value to your business



DESMI Supply to Large HVAC Contract in Vietnam

Lotte Center Hanoi is a skyscraper in Hanoi, Vietnam, completed in 2014. The tower has 65 floors and features a modern architectural style.

The tower is one of the highest buildings in Vietnam – and it includes offices, entertainment complex, shopping mall and a convention center. The project budget was USD 400 million.

DESMI supplied 68 nos NSL centrifugal pumps for HVAC applications on this project: NSL100-330, NSL125-330, NSL150-330, NSL200-330, NSL250-330, NSL300-415 & ESL50-180



Courtesy Dou International, LTD. Architects & Consultants

DESMI Supply to Datacenter in Amsterdam

DESMI have supplied 6 nos NSL250-330 pumps for cooling a datacenter for the plant AMS 2 with Telecity in Amsterdam.

Interxion's Amsterdam carrier- and cloud-neutral datacentres provide highly secure, scalable infrastructure for mission-critical IT systems, with a wide range of connectivity solutions.

The campus supports the latest high-density power configurations and has been designed using energy-efficient modular architecture.

The entire facility infrastructure is monitored 24/7 (chillers, CRACs, fire panels, generators, UPS, etc.) and built with use of sustainable energy such as free cooling, ground water cooling and waste heat reuse, but never at the expense of reliability and availability.

The Amsterdam datacentres use 100% certified green power from biomass, wind and water.

The facility environment is continuously monitored to constantly improve efficiency.

The facility mentioned consist of a 746 m² / 8030 ft² of data servers. The DESMI pumps have been installed in 2007 without any downtime and running continuously since then, as per the client (April 2014).





You can read more about our wide range of pumps and pumping systems on www.desmi.com or send your email på desmi@desmi.com

MARINE & OFFSHORE

INDUSTRY

OIL SPILL RESPONSE

DEFENCE & FUEL

UTILITY

www.desmi.com

DESMI